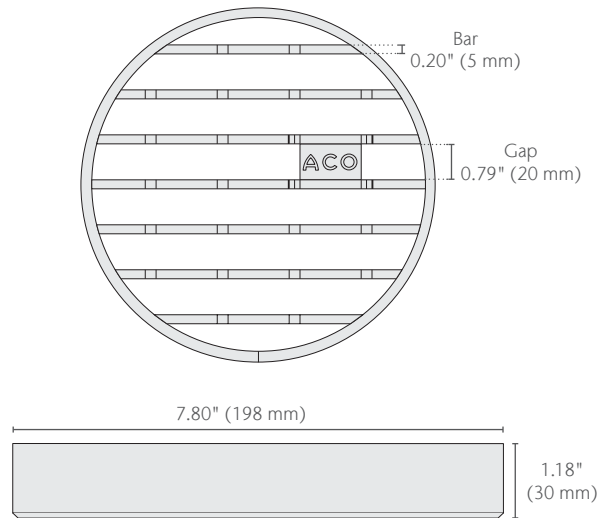


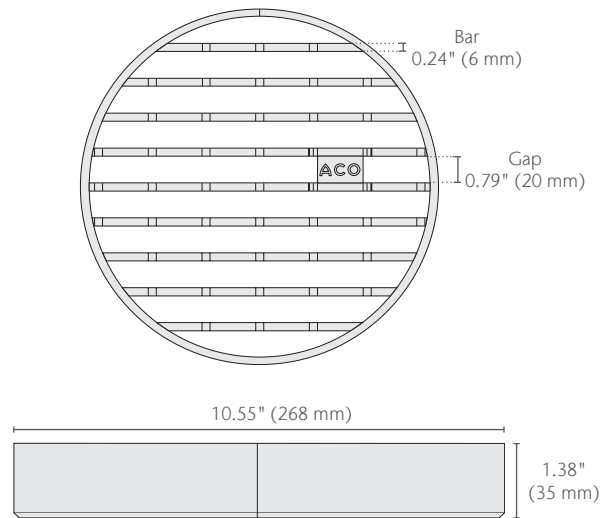
# Round Ladder Grate Spec Sheet



## 9" Round Ladder Grate



## 12" Round Ladder Grate



Product Name	Part No.	Weight lbs	Material	EN1253 Load Class	ASME Load Class
Round Ladder Grate 9"	<b>446776</b>	4.3	AISI 304	M125	Heavy Duty
	<b>446777</b>	4.3	AISI 316L	M125	Heavy Duty
Round Ladder Grate 12"	<b>446778</b>	9.7	AISI 304	M125	Heavy Duty
	<b>446779</b>	9.7	AISI 316L	M125	Heavy Duty

### Specification Clause

Used with ACO Round Floor Drains. Made from AISI 304 or AISI 316L. Electropolished finish. Fully drainable, inspectable and cleanable. Fully welded hygienic joints. Slip resistant. Load class per ASME A112.6.3, section 5.

ACO recommends checking local plumbing codes prior to installation.

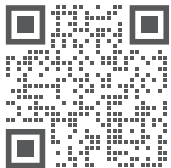


Slip-resistant:  
BPN > 24 based on Pendulum Test

## ACO, Inc.

© January 2026 ACO, Inc.

All reasonable care has been taken in compiling the information in this document. All recommendations and suggestions on the use of ACO products are made without guarantee since the conditions of use are beyond the control of the company. It is the customer's responsibility to ensure that each product is fit for its intended purpose and that the actual conditions of use are suitable. ACO, Inc. reserves the right to change products and specifications without notice.



info@acousa.com  
www.acousa.com

